

The logo for Ferrol, featuring the brand name in a bold, black, sans-serif font with a stylized orange and yellow arc above the 'o'.

ELITE STRATOS F30

LISTA PEZZI DI RICAMBIO

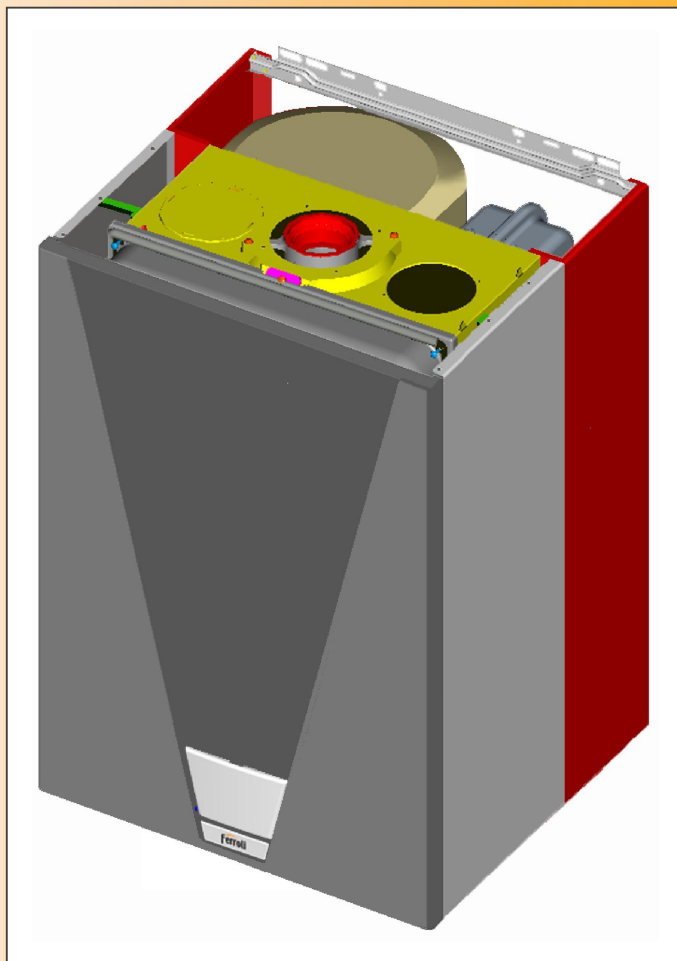
SPARE PART LIST

ERSATZSTEILE

LIJST ONDERDELEN

LISTE PIECES DETACHES

LISTA PIEZAS DE REPUESTO



CODICE

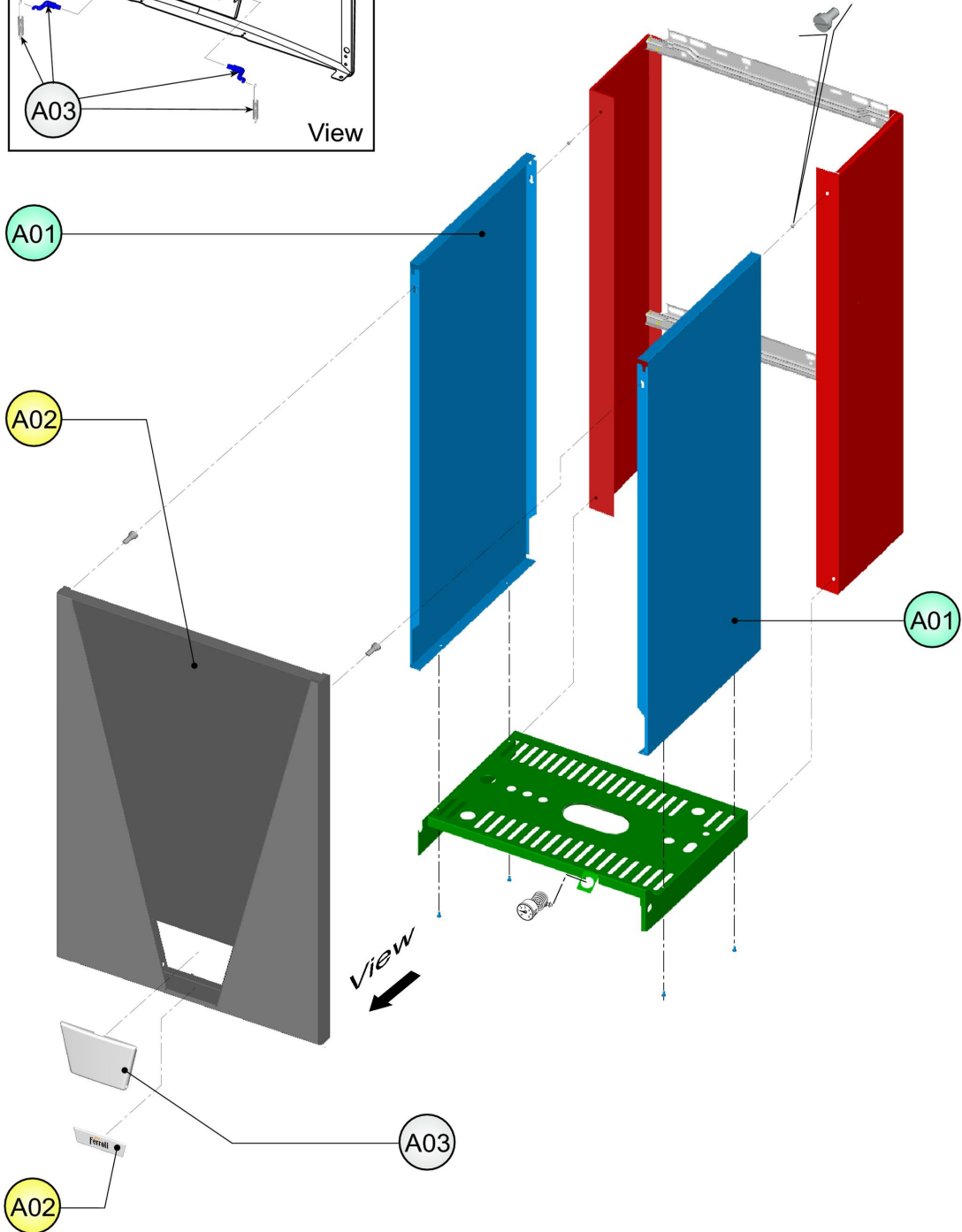
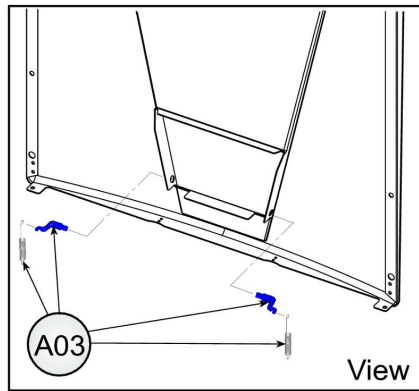
30K0261000

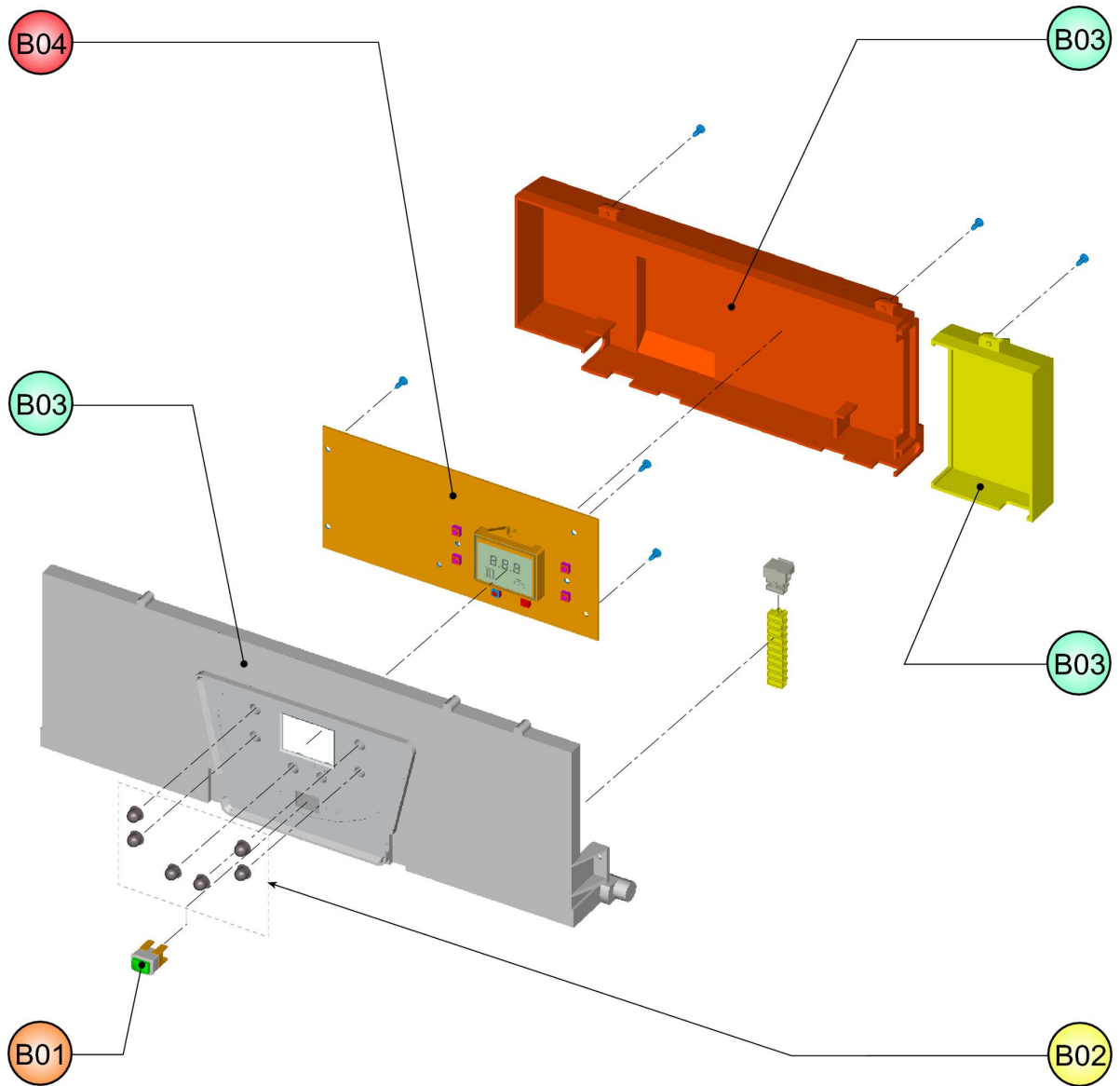
EDIZIONE

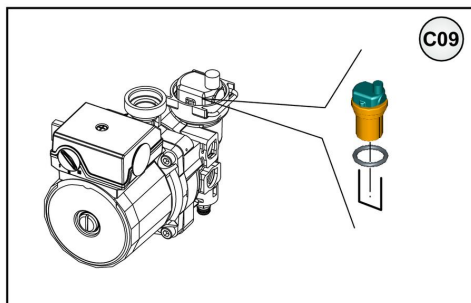
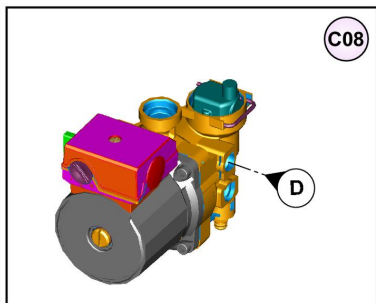
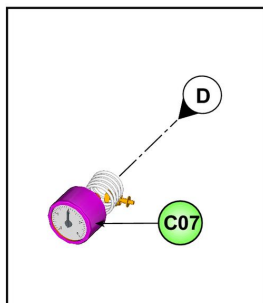
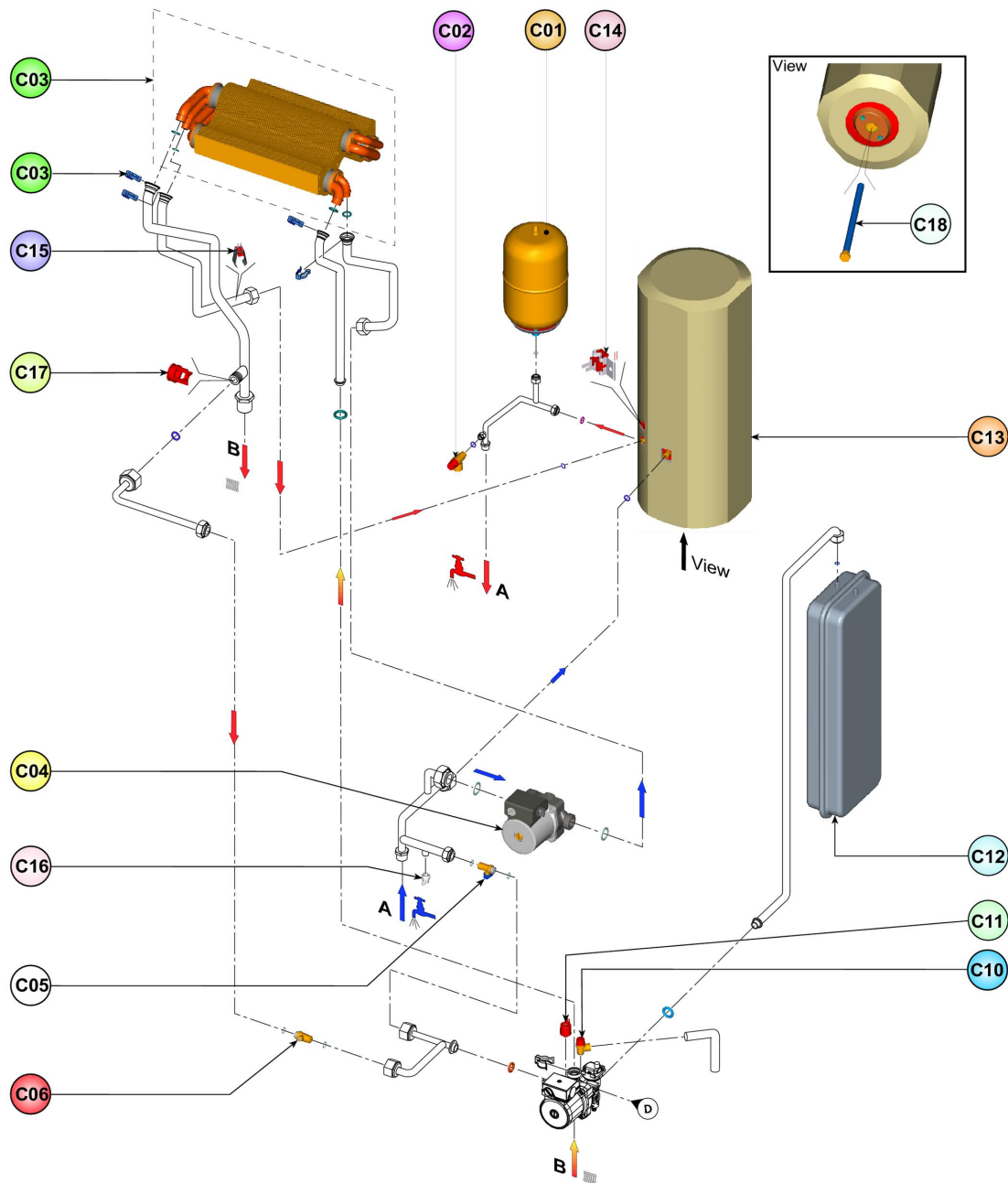
11/11/2005

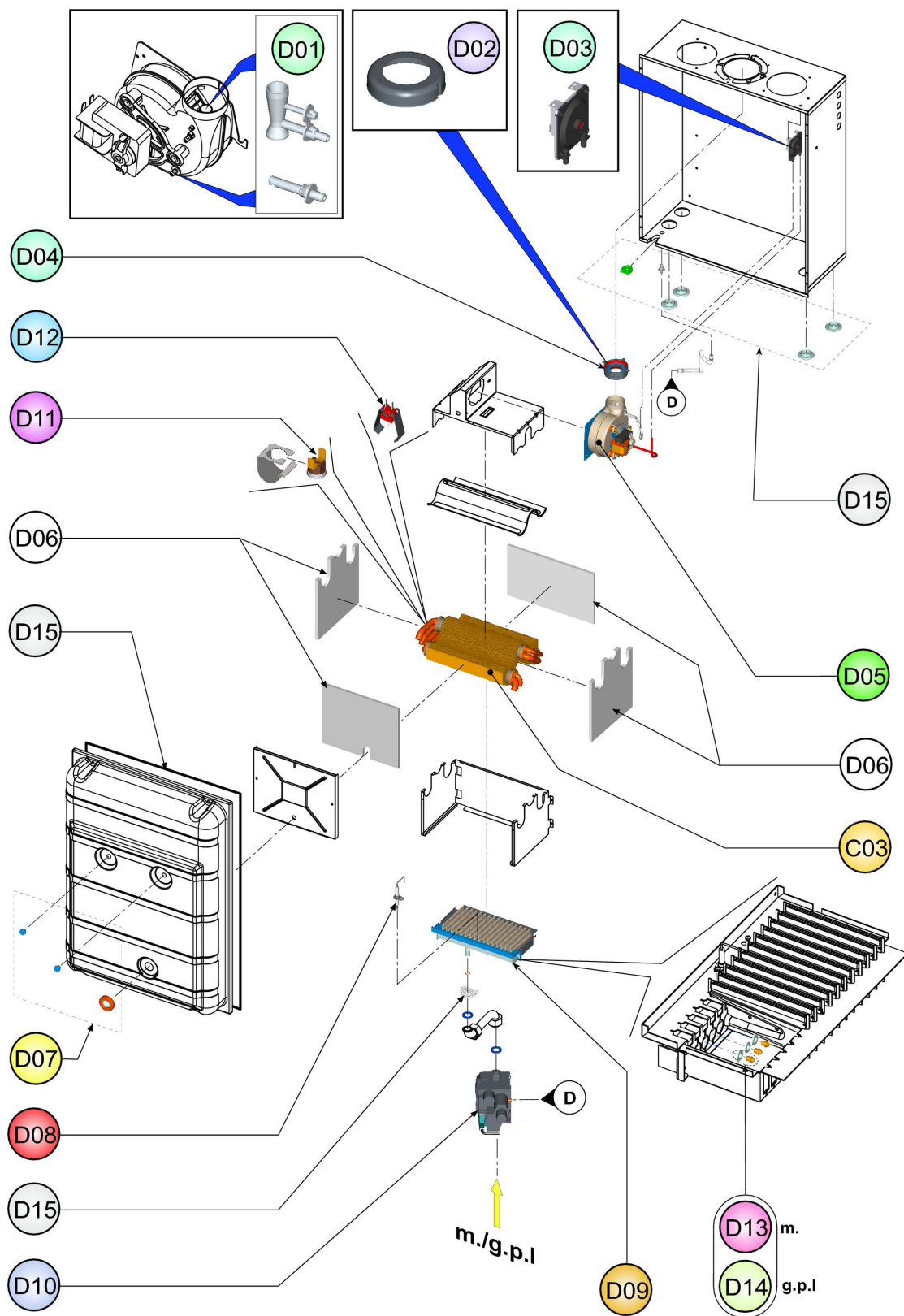
MERCATO

IT









LISTA PEZZI			
POS.	CODICE	DESC.	QT.
A01	39809710	KIT FIANCO REVERS. (31106260)	1
A02	39818750	KIT PANNELLO ANTER. (31107770)	1
A03	39809720	KIT PORTELLINO RAME Fm.B6-B9	1
B01	39811480	KIT 5 PULSANTI (36100460)	1
B02	39817750	KIT TASTI NERI N°2 (35102320)	1
B03	39817760	KIT SCATOLA ELETTR. (35011660)	1
B04	39817770	KIT CENTRALINA "DSP" (38321260)	1
C01	39818200	KIT VASO ESP.2Lt. (36800480)	1
C02	39809950	KIT VALV.SIC.9bar (36900460)	1
C03	39818460	KIT PACCO LAM. (37403920)	1
C04	39818760	KIT POMPA (36600080)	1
C05	39808980	KIT RUBINETTO 3/8" (36901470)	1
C06	39810360	KIT RUBIN. 3/8" (36901940)	1
C07	39818210	KIT IDROMETRO (36402070)	1
C08	39818450	KIT POMPA AO/FX3FPL (39404220)	1
C09	39818220	KIT V.ARIA (39404380-39404730)	1
C10	39818270	KIT VALV.SIC. (39404720)	1
C11	39818770	KIT TRANSDUTT.PRESS. (36402100)	1
C12	39810050	KIT VASO ESP.10Lt. (36802800)	1
C13	39818780	KIT BOILER 25Lt. (37704840)	1
C14	39808560	KIT SONDA BOILER (36200560)	1
C15	39810230	KIT SONDA TEMP. SAN. (36200640)	1
C16	39810320	KIT RUBIN. SCARICO (36901630)	1
C17	39818790	KIT 10 VALV.N/R. (36902190)	1
C18	39819300	KIT ANODO MAGN. (39402670)	1
D01	39808471	KIT PRESE (35101310-35101323)	1
D02	39811470	KIT DIAFRAMMI FUMI D.47-50-52	1
D03	39805630	KIT PRESS. DIFF. ARIA (36400060)	1
D04	39808750	KIT RACC. COLL. VENT. (32117090)	1
D05	39819310	KIT VENTIL. (36601380)	1
D06	39811460	KIT ISOL.CAM.COMB.CALD.Sr.A206	1
D07	39811330	KIT SPIA SILICONE (35102230)	1
D08	39812170	KIT ELETTRODO ACC. (36702581)	1
D09	39811440	KIT CASSETTO 16R m. (37608290)	1
D10	39817850	KIT VALV.GAS (36800420)	1
D11	39805650	KIT TST.C.ARG.100°C (36400900)	1
D12	39810220	KIT SONDA TEMP.RISC. (36200540)	1
D13	39810150	KIT 16 UG.1,25 (EL) (34009351)	1
D14	39810160	KIT 16 UG.0,75 (EL) (34009711)	1
D15	39817730	KIT GUARN. +PR.ARIA Sr.A9F6 new	1

<p><u>DESCRIZIONE MODIFICHE:</u></p> <p>_____</p> <p>_____</p> <p>_____</p> <p>_____</p>	<p><u>NOTE TECNICHE:</u></p>	<p>Firma</p> <p>DI CARLO Cristian</p>
---	-------------------------------------	---------------------------------------